

Winchester Industries

2 and 3 Panel Replacement Sliding Glass Installation Instructions

The Following instructions should be followed in order as presented within:

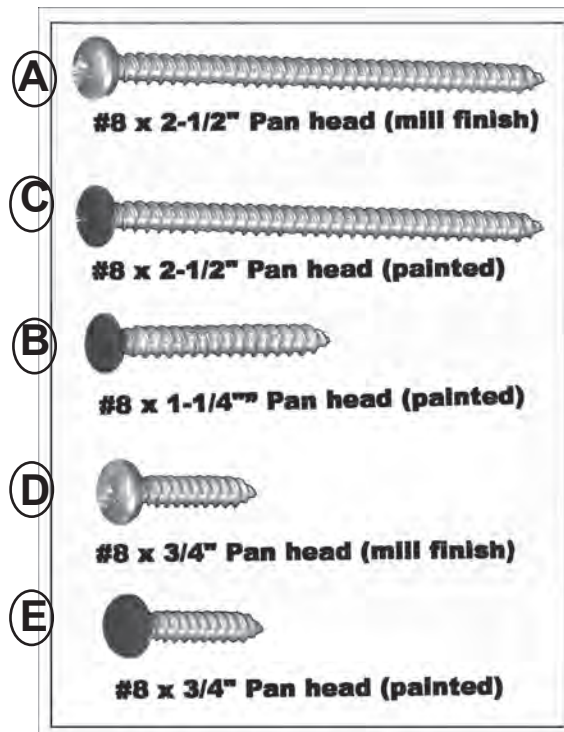
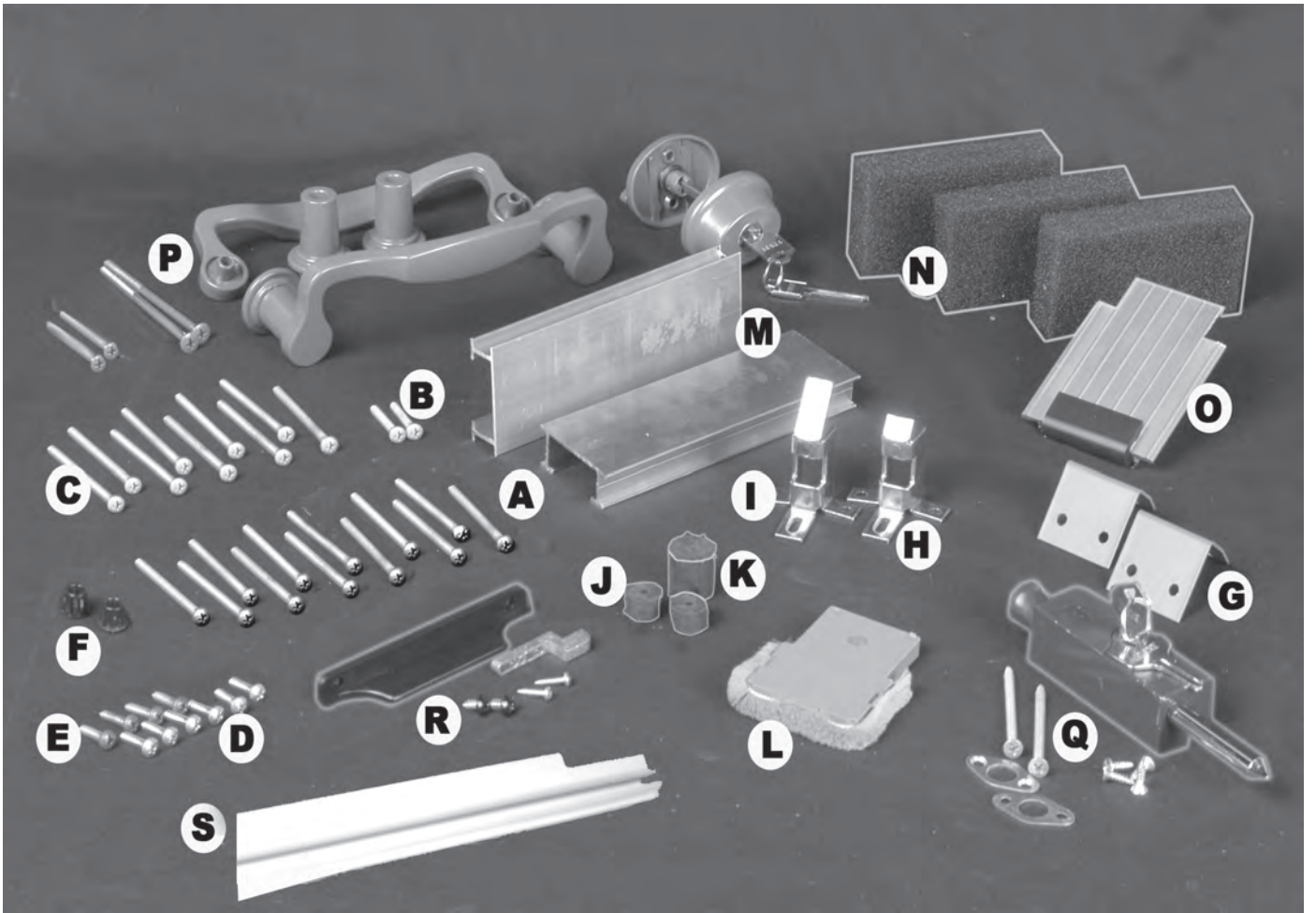
- I. Frame
- II. Fixed Panel
- III. Moveable Panel
- IV. Handle and Lock
- V. Dust block
- VI. Vent/Vacation Lock
- VII. Screen
- VIII. Three Panel Center Slide
- IX. Three Panel End Slide



BEFORE BEGINNING INSTALLATION PLEASE CHECK DESCRIPTIONS AND QUANTITIES OF ALL SCREWS AND PARTS. FAMILIARIZE YOURSELF WITH EACH AS SHOWN ON PAGE 2 BEFORE STARTING ASSEMBLY AND INSTALLATION.

Complete Assembly, Installation Screw Package and Hardware for Two Panel Doors Includes the Following:

| Screws: | Part Ref. | Qty. | Description |
|----------------|------------------|-------------|---|
| | A | 12 | #8 x 2-1/2" Pan head (mill finish) |
| | B | 2 | #8 x 1-1/4" Pan Head (painted) |
| | C | 9 | #8 x 2-1/2" Pan head (painted) |
| | D | 6 | #8 x 3/4" Pan head (mill finish) |
| | E | 4 | #8 x 3/4" Pan head (painted) |
| | F | 2 | Hole plugs |
| Parts: | Part Ref. | Qty. | Description |
| | G | 2 | Fixed Panel retainer clips |
| | H | 1 | Lock Keeper - Bottom |
| | I | 1 | Lock Keeper - (Large) Top |
| | J | 2 | Jamb Rubber Bumpers (Moveable Panel) |
| | K | 1 | Large Bumper |
| | L | 1 | Fixed Panel dust block |
| | M | 2 | Fixed Panel Buildups |
| | N | 3 | 1" x 2" x 4" Reticulated Foam |
| | O | 1 | Moveable Panel stop |
| | P | 1 set | Handle and Lock Hardware |
| | Q | 1 set | Vacation/Vent Lock Hardware |
| | R | 1 | Exterior Screen Handle, Screws and Keeper |
| | S | 1 | Bug Seal |



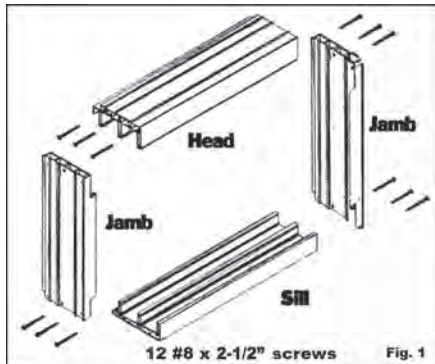
I. FRAME

Items needed to install frame and fixed Panel:

| Part Ref. | Qty. | Description |
|-----------|------|--|
| — | 2 | Vinyl Jamb |
| — | 1 | Vinyl Head Section |
| — | 1 | Sill |
| C | 9 | #8 x 2-1/2" Pan head (painted) |
| G | 2 | Fixed panel retainer clips |
| J | 2 | Moveable Jamb bumpers |
| A | 12 | #8 x 2-1/2" Pan head screws (mill finish) |
| E | 2 | #8 x 3/4" Pan head retainer screws (painted) |

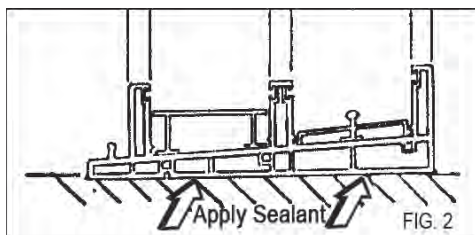
A) Frame - Assembly

- 1) Assemble frame on clean flat surface to avoid damage.
- 2) Apply silicone sealant to ends of head and sill sections.
- 3) Fasten jambs to head and sill with twelve #8 x 2-1/2" pan head screws (mill) (A). (Fig. 1)



B) Frame Installation

- 1) Apply silicone sealant to exterior underside of sill (Fig. 2), insulate around frame adequately. Do not overpack as to bow frame.



- 2) Place frame in opening. Shim as required to square, plumb, and level. Secure frame in opening with seven #8 x 2-1/2" pan head screws (C), painted, using proper placement as described in following steps.

C) Fixed Panel Jamb

- 1) Pre-drill jambs with a 5/32 drill bit. (Fig. 3)

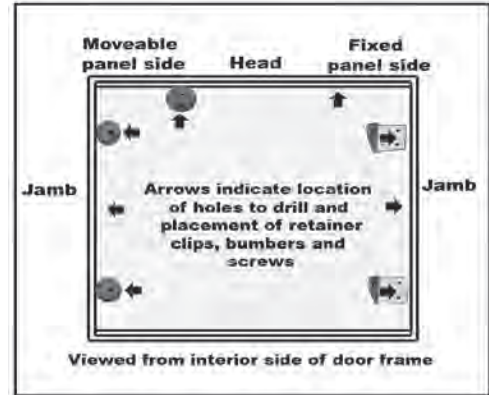


Fig. 3

- 2) Use two #8 x 2-1/2" screws (C), painted, to secure jamb to frame opening through top hole in retainer clips (G) 6" from top and bottom. (Fig 3 and 4)
- 3) Screw two #8 x 3/4" painted screws (E) into second hole in top and bottom retaining clips.
- 4) Install one #8 x 2-1/2" screw (C) at center of jamb in the same track (Fig. 3 above)

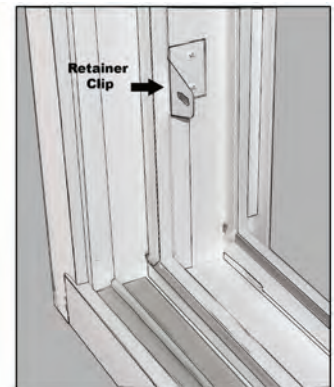


Fig. 4

D) Moveable Panel Jamb

- 1) Use one #8 x 2-1/2" screw (C) to secure frame at center of jamb.
- 2) Put two #8 x 2-1/2" screws (C) in jamb bumpers (J), and secure frame 6" from top and bottom. (Fig. 3 above and Fig. 5)

E) Head (Fixed Panel Side)

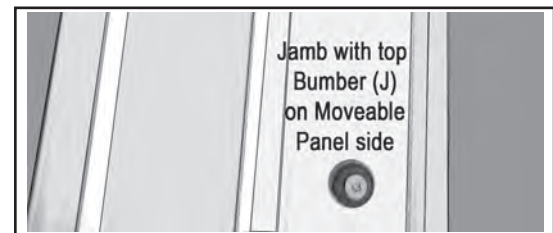


Fig. 5

- 1) Use one #8 x 2-1/2" screw (C) to secure head approximately two inches off center in outside track in fixed panel side. (Refer to Fig. 3)

II. FIXED PANEL INSTALLATION

Items needed to install Fixed Panel:

| Part Ref. | QTY. | Description |
|-----------|------|-------------------------------------|
| | 1 | Fixed Panel |
| D | 2 | #8 x 3/4" pan head screws (painted) |
| M | 2 | Fixed Panel Builds |
| N | 3 | 1" x 2" x 4" Reticulated Foam |

A. Installation Instructions:

- 1) Place reticulated foam (N) in front of 3 weeps that are punched in center leg of frame. (Fig. 6)

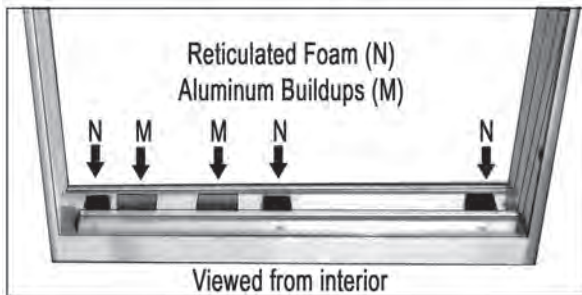


Fig. 6

- 2) Place fixed Panel Builds (M) beside reticulated foam in fixed Panel side of outside track. (Fig. 6)

- 3) From the exterior side, insert the fixed panel top into the exterior pocket in the frame head. The interlock must be toward the center of the frame facing the inside of the house. (Fig. 7)

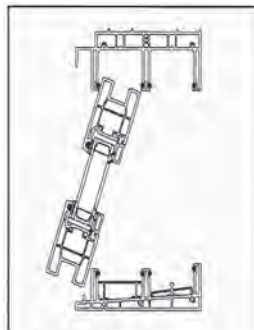


Fig. 7

- 4) Swing panel bottom in and lower to rest on the sill in the exterior pocket.

- 5) Push fixed panel toward jamb until it is about 1/2" from jamb. (Fig. 8) Make sure the distance between the fixed panel and the jamb is exactly equal at the top, middle and bottom. If this distance is not equal, the frame must be squared up before proceeding.



Fig. 8

- 6) Push fixed panel all the way into the jamb pocket.

III. MOVEABLE PANEL INSTALLATION

Items needed to install movable Panel :

| Part Ref. | QTY. | Description |
|-----------|------|--|
| | 1 | Moveable panel with rollers and multi-point lock rods. |
| P | 1 | Handle assembly pack |
| I | 1 | Top Keeper (Large one) |
| H | 1 | Bottom Keeper |
| D | 6 | #8 x 3/4" pan head screws (mill finish) |

Installation Instructions:

- 1) From the interior side, insert the operating panel top into the interior pocket of the frame head. The interlock must be to the center of the frame facing the outside of the house. (Fig. 9)

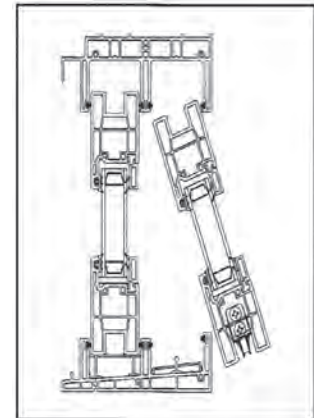


Fig. 9

- 2) Swing panel bottom in and lower panel in place, with wheels of rollers on aluminum sill track.
- 3) Make sure that the operating panel rolls freely on the track with no dragging or noticeable obstruction.
- 4) Roll operating panel to within 1/2" from the jamb. Make sure the distance between the panel and the jamb are exactly equal at the top, middle and bottom. To align panel with frame jamb, adjust roller height by turning roller adjustment screw (use philips type screwdriver through processed hole on each stile) clockwise to raise panel. Also the operating panel can be raised or lowered to make it even with the fixed panel. (Fig. 10)

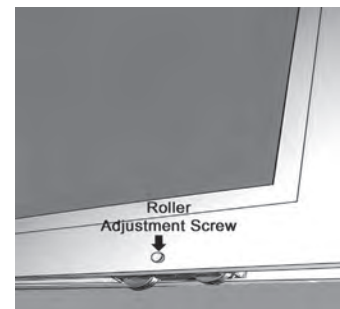


Fig.

- 5) Install lock keepers. Keeper with the long ramp is the top keeper (I). (Fig. 11) The one with shorter ramp is the bottom keeper (H). Note that on the inside of the jamb channel there is a score line, precisely on center of the channel. This mark is used to center keepers. (Fig. 12)

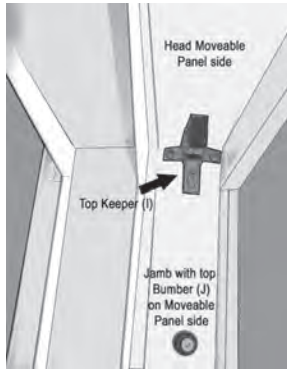


Fig. 11

- 6) Place bottom keeper over roller track, make sure that the keeper is nesting properly as shown (Fig 12). Center top hole (elongated) with score line and proceed to drill first hole about midway of the elongated slot, use 1/8" drill bit. Fasten keeper with three #8 x 3/4" pan head screws (D) (mill finish).

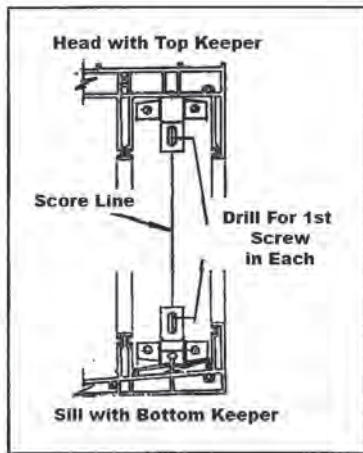
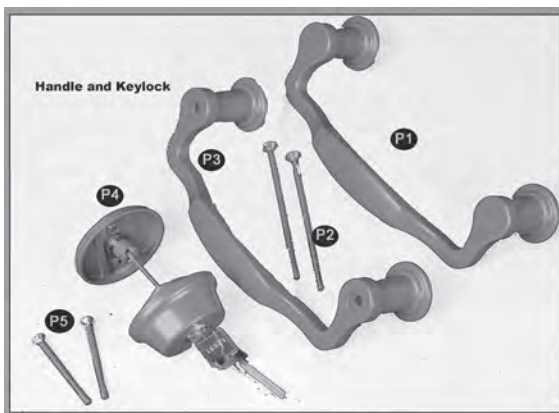


Fig. 12

- 7) Repeat step 6 for top keeper using three #8 x 3/4" pan head screws (D) (mill finish).

IV. HANDLE/LOCK, DOOR STOP, THRESHOLD COVER AND SCREW PLUG INSTALLATION



Install Hardware to Moveable Panel:

(DO NOT USE POWER TOOLS TO INSTALL)

| Part Ref. | QTY. | Description |
|-----------|-------|-----------------------------|
| P1 | 1 | Inside Handle |
| P2 | 2 | Long pan head screws |
| P3 | 1 | Exterior Handle |
| P4 | 1 set | Deadbolt Lock (if ordered) |
| P5 | 2 | Short pan head screws |
| O | 1 | Aluminum threshold cover |
| F | 2 | Moveable Panel stop |

- 1) Hold handle side with screw holes (P3) on interior side of moveable panel and insert 2 long screws through predrilled holes.
- 2) Line up exterior handle side (P1) with screws and tighten.
- 3) Attach key lock assembly (P4) using 2 long screws
- 4) Open and close several times to ensure the panel locks and unlocks properly.
- 5) Install two #8 x 3/4" pan head painted screws (E) into retainer clips (G) of fixed panel. (Fig. 13)
5. Insert two screw hole plugs (F) into adjustment screw holes. (Refer to Fig. 10)
- 9) With moveable panel closed Insert threshold cover in outside track and moveable stop in interior track . (Fig. 14)



Fig. 13



Fig. 14

**V. DUST BLOCK AND SECURITY BUMPER
INSTALLATION**

Items needed to install dust block and security bumper:

| Part Ref. | QTY | Description |
|-----------|-----|--------------------------------------|
| B | 2 | #8 x 1-1/4" pan head screw (painted) |
| L | 1 | Dust block |
| K | 1 | Large security bumper |

- 1) Place dust block (L) at top of fixed panel, pre-drill with 1/8 bit and fasten block with one #8 x 1-1/4" pan head painted screw (B). (Fig. 15)

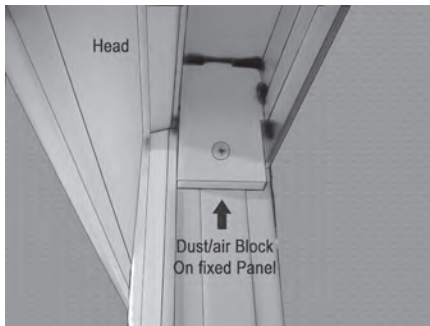


Fig. 15

- 2) Install large security bumper (K) in inside track approximately at the center of moveable panel. Use one #8 x 1-1/4" pan head painted screw (C). (Refer to Fig. 3)

VI. VENT/VACATION LOCK INSTALLATION



Items included to install lock:

| Part Ref. | Qty. | Description |
|-----------|------|------------------------------|
| Q1 | 1 | Lock Mechanism with pin |
| Q2 | 2 | Screw Caps |
| Q3 | 2 | #8 x 2-1/2" flat head screws |
| Q4 | 4 | #4 x 1/2" flat head screws |
| Q5 | 2 | Metal gromets |
| Q6 | 2 | Keys |

Installation Instructions

1. Use key to unlock if necessary. Remove lock bolt (Q1) by pulling and twisting to disengage from mechanism.
2. Remove screw caps (Q2).
3. Install one #8 x 2-1/2" flat head screw (Q3) into the top predrilled hole on upper side of moveable panel. (Fig. 16)



Fig. 16

4. Open and close door a few times. When door is in locked position push pin up and mark where point hits header. (Fig.17)



Fig. 17

5. Slide door open approximately 6" (or to homeowner's preference) for ventilation and push pin up and mark point where it hits header. (Fig.18)

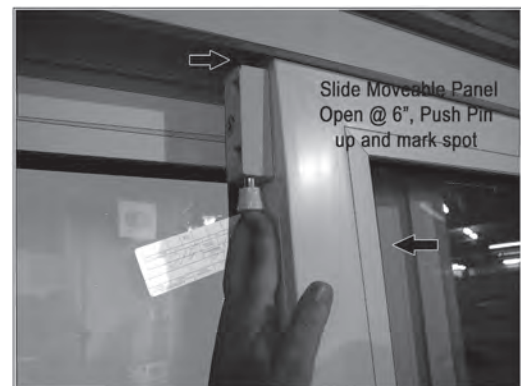


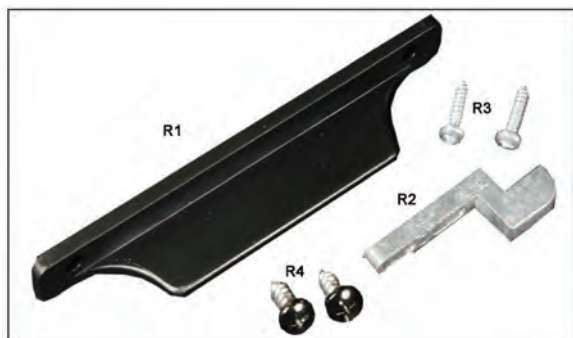
Fig. 18

6. After marking both locking positions remove vent latch and drill a 1/2" hole at the two points marked previously in steps 4 and 5.
7. Place a gromet (Q5) over each hole. Attach both gromets with two #4 x 1/2" flat head screws (Q4).
8. Re-install vent latch using two #8 x 2-1/2 flat head screws (Q3). Replace screw head caps (Q2) (Fig.19)



Fig. 19

VII. SCREEN AND HANDLE INSTALLATION



Items needed to install screen and handle:

| Part Ref. | QTY | Description |
|-----------|-----|--|
| | 1 | Screen Door |
| R1 | 1 | Exterior Screen Handle |
| R4 | 2 | Screen handle screws (painted) |
| R2 | 1 | Keeper Assembly |
| R3 | 2 | Keeper Screws (mill finish) |
| S | 1 | Bug seal (included in frame package.) |

Installation Instructions:

- 1) Install exterior handle on screen, use painted screws provided in packet.
- 2) Snap Bug Seal (S) onto screen. (Fig. 20)
- 3) Install screen in master frame.

- 4) Bottom rollers may need adjusted to set on roller track. Adjust (set) with a putty knife or fingers.
- 5) Install screen keeper (R2), use two #4 x 1/2" pan head screws (R3).

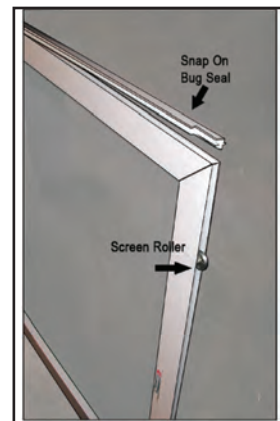


Fig. 20

VIII. THREE PANEL CENTER SLIDE INSTALLATION

Additional parts, screws and fasteners for Three Panel Doors:

| Part Ref. | Qty. | Description |
|-----------|------|--|
| | 1 | Mullion assemble with screen retainer astragal |
| | 2 | Fixed Panel retainer clips |
| | 6 | #8 x 2-1/2" Pan head Screws (painted) |
| | 4 | #8 x 2" Flat head screws (painted) |
| | 1 | #8 X 3/4" Pan head screw (Painted) |

Installation

Follow Two-Panel assembly installation procedures.

Install lock keepers on the mullion section of the interior panel.

Important note:

The fixed panel retainer clip face screws are to be installed only after BOTH LEFT AND RIGHT FIXED panels are properly aligned.

Folow directions with Step VI of two panel for installation of vent/vacation lock.

IX. THREE PANEL END SLIDE INSTALLATION

See additional parts, screws and fasteners for Three Panel Doors in section VIII:

- 1) Place reticulated foam (N) in front of 3 weeps that are punched in center leg of frame. (Refer back to Fig. 6)
- 2) Place fixed Panel Buildups (M) beside reticulated foam in fixed Panel side of outside track. (Fig. 6)

IX. THREE PANEL END SLIDE INSTALLATION
(con't)

- 3) From the exterior side insert the fixed panel without interlocks into the exterior pocket of the frame head section.
- 4) Swing panel bottom in and lower to rest on the sill in the exterior pocket.
- 5) Push fixed panel toward jamb until it is about 1/2" from jamb. (Fig. 8) Make sure the distance between the fixed panel and the jamb is exactly equal at the top, middle and bottom. If this distance is not equal, the frame must be squared up before proceeding.
- 6) Push fixed panel all the way into the jamb pocket.
- 7) Install mullion with flat side toward exterior of door frame.
- 8) Fasten mullion to fixed panel with 4 #8 - 2 1/2" pan head screws.
- 9) Refer to fixed panel installation section on page 4.